

# KITZ

## **Industrial Threaded Ball Valves** (Includes socket weld & buttweld ends) **Carbon & Stainless Steel**



**KITZ CORPORATION OF AMERICA**

# INDUSTRIAL THREADED BALL VALVES

Carbon and Stainless Steel

## - CONTENTS -

- Figure Number Construction ..... 1

### UNIBODY/2-Piece and 2-Piece Seal Welded

- CODE NUMBERS ..... 2
- TECHNICAL INFORMATION
  - Product Overview ..... 3
  - Pressure – Temperature Rating ..... 3
  - Basic Design Standards ..... 3
  - Test Pressures ..... 3
- TECHNICAL DATA
  - Operating Torque..... 4
  - Flow Coefficients..... 4
- DIMENSIONAL OUTLINES and MATERIALS OF CONSTRUCTION ..... 5

### 3-Piece

- CODE NUMBERS ..... 8
- TECHNICAL INFORMATION
  - Product Overview ..... 9
  - Pressure – Temperature Rating ..... 9
  - Basic Design Standards ..... 9
  - Test Pressures ..... 9
- TECHNICAL DATA
  - Operating Torque..... 10
  - Flow Coefficients..... 10
- DIMENSIONAL OUTLINES and MATERIALS OF CONSTRUCTION ..... 11
- OPTIONS and ACCESSORIES ..... 14
- ADDITIONAL THREADED ITEMS ..... 15

# FIGURE NUMBER CONSTRUCTION

AK    SC    I    K    Z    M    -    FS    Q  
1       2       3       4       5       6       7       8

AK    U    I    H    W    Z    M  
1       2       3       4       9       5       6

AW    SC    3I    F    Z    M    -    FS  
1       2       3       4       5       6       7

## 1 - END CONNECTION

AK - Tapered NPT (ASME B1.20.1)  
AW - Socket Weld (ASME B16.11)  
BW - Buttweld (ASME B16.25)  
AK/AW - Threaded x Socket Weld

## 2 - SHELL MATERIAL

SC - Carbon Steel  
U - Stainless Steel

## 3 - VALVE TYPE

T - Floating Ball  
3T - 3-PC

## 4 - PORT DESIGN

K - Reduced  
H - Regular  
F - Full

## 5 - MOUNTING PAD

Z - Integral  
(ISO-5211 on 3-pc)

## 6 - TRIM (Ball and Stem)

M - 316SS

## 7 - OPTIONS

FS - Fire Tested per API 607

## 8 - OPERATOR

() - Locking Lever  
O - Locking Oval

## 9 - SPECIAL FEATURES

W - Seal Welded

# CODE NUMBERS

## *1-pc / 2-pc & 2-pc Seal Welded*

FIRESAFE UNIBODY (Page 5)

AKSCTKZM-FS (CS/Locking Lever) - #119

AKUTKZM-FS (SS/Locking Lever) - #129

AKSCTKZM-FSO (CS/Locking Oval) - #119-LOH

AKUTKZM-FSO (SS/Locking Oval) - #129-LOH

2-Piece (Page 6)

AKSCTHZM (CS/Non-Firesafe/Locking Lever) - #217

AKUTHZM (SS/Non-Firesafe/Locking Lever) - #227

AKSCTHZM-FS (CS/Firesafe/Locking Lever) - #219

AKUTHZM-FS (SS/Firesafe/Locking Lever) - #229

AKSCTHZM-O (CS/Non-Firesafe/Locking Oval) - #217-LOH

AKUTHZM-O (SS/Non-Firesafe/Locking Oval) - #227-LOH

AKSCTHZM-FSO (CS/Firesafe/Locking Oval) - #219-LOH

AKUTHZM-FSO (SS/Firesafe/Locking Oval) - #229-LOH

2-Piece, Seal Welded (Page 7)

AKSCTHWZM (CS/Non-Firesafe/Locking Lever) - #237

AKUTHWZM (SS/Non-Firesafe/Locking Lever) - #247

AKSCTHWZM-FS (CS/Firesafe/Locking Lever) - #239

AKUTHWZM-FS (SS/Firesafe/Locking Lever) - #249

AKSCTHWZM-O (CS/Non-Firesafe/Locking Oval) - #237-LOH

AKUTHWZM-O (SS/Non-Firesafe/Locking Oval) - #247-LOH

AKSCTHWZM-FSO (CS/Firesafe/Locking Oval) - #239-LOH

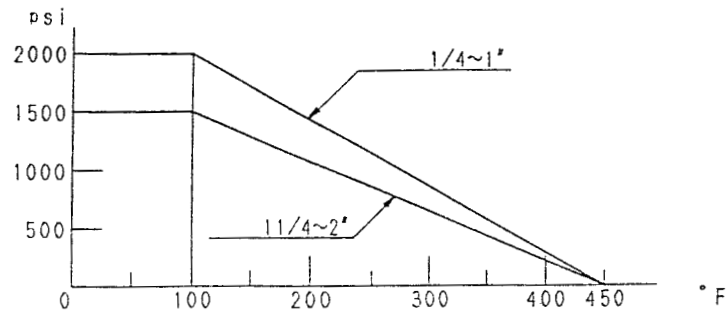
AKUTHWZM-FSO (SS/Firesafe/Locking Oval) - #249-LOH

# TECHNICAL INFORMATION

## PRODUCT OVERVIEW

| PRODUCT TYPE                        | MATERIAL    | BASIC FIGURE                      | STANDARD OPTIONS              | SIZE RANGE  |
|-------------------------------------|-------------|-----------------------------------|-------------------------------|---|
| FIRESAFE UNIBODY, REDUCED PORT      | WCB<br>CF8M | AKSCTKZM-FS<br>AKUTKZM-FS         | FIRESAFE (API 607)            | 1/4", 3/8",<br>1/2", 3/4",<br>1", 1-1/4",<br>1-1/2", 2" |
| TWO-PIECE REGULAR PORT              | WCB<br>CF8M | AKSCTHZM (-FS)<br>AKUTHZM (-FS)   | LOCKING OVAL<br>LOCKING LEVER |   |
| TWO-PIECE REGULAR PORT, SEAL WELDED | WCB<br>CF8M | AKSCTHWZM (-FS)<br>AKUTHWZM (-FS) |                               |   |

## PRESSURE-TEMPERATURE RATING



## BASIC DESIGN

### FIRESAFE UNIBODY

Face-to Face Dimensions - KITZ Standard  
 End Connections - ASME B1.20.1  
 Wall Thickness - KITZ Standard  
 Port - Reduced port in accordance with API 608  
 Mounting Pad - KITZ Standard  
 Standard Handle - Locking Oval (1/4"~1")  
 Locking Lever (1-1/4"~2")  
 Optional Locking Oval and Lever for other sizes

Body Seat - Hypatite PTFE  
 Body Seal - Flexible Graphite  
 Pressure Rating - 2000 WOG (1/4"~1)  
 240 WSP (1/4"~1)  
 1500 WOG (1-1/4"~2")  
 220 WSP (1-1/4"~2")  
 NACE MR-01-75

### 2-Piece

Face-to Face Dimensions - KITZ Standard  
 End Connections - ASME B1.20.1  
 Wall Thickness - BS 5351 Class 800 (1/4"~1")  
 ASME B16.34 Class 600 (1-1/4"~2")  
 Port - Regular port in accordance with API 608  
 Mounting Pad - KITZ Standard  
 Standard Handle - Locking Oval (1/4"~1")  
 Locking Lever (1-1/4"~2")  
 Optional Locking Oval and Lever for other sizes

Body Seat - Hypatite PTFE  
 Body Seal - PTFE (Standard)/Flexible Graphite (FS)  
 Pressure Rating - 2000 WOG (1/4"~1)  
 240 WSP (1/4"~1)  
 1500 WOG (1-1/4"~2")  
 220 WSP (1-1/4"~2")  
 NACE MR-01-75

### 2-Piece, Seal Welded

Face-to Face Dimensions - KITZ Standard  
 End Connections - ASME B1.20.1  
 Wall Thickness - BS 5351 Class 800 (1/4"~1")  
 ASME B16.34 Class 600 (1-1/4"~2")  
 Port - Regular port in accordance with API 608  
 Mounting Pad - KITZ Standard  
 Standard Handle - Locking Oval (1/4"~1")  
 Locking Lever (1-1/4"~2")  
 Optional Locking Oval and Lever for other sizes

Body Seat - Hypatite PTFE  
 Body Seal - None (Seal welded construction)  
 Pressure Rating - 2000 WOG (1/4"~1)  
 240 WSP (1/4"~1)  
 1500 WOG (1-1/4"~2")  
 220 WSP (1-1/4"~2")  
 NACE MR-01-75

## TEST PRESSURES

Test Method - API 598  
 Body Test Pressure - 3000 psi, Hydrostatic (1/4"~1")  
 2250 psi, Hydrostatic (1-1/4"~2")  
 Seat Test Pressure - 80 psi, Air

# TECHNICAL DATA

CARBON and STAINLESS STEEL  
**FIRESAFE UNIBODY**  
 FIGURE: AKSCTKZM-FS/AKUTKZM-FS

OPERATING TORQUE, in-lbs\*

| VALVE SIZE | DIFFERENTIAL PRESSURE, psi |     |       |       |       |
|------------|----------------------------|-----|-------|-------|-------|
|            | up to 400                  | 500 | 1,000 | 1,500 | 2,000 |
| 1/4"       | 14.5                       | 15  | 18    | 21    | 24    |
| 3/8"       | 19                         | 20  | 25    | 30    | 35    |
| 1/2"       | 29                         | 30  | 35    | 40    | 45    |
| 3/4"       | 44                         | 45  | 50    | 55    | 60    |
| 1"         | 68                         | 70  | 80    | 90    | 100   |
| 1-1/4"     | 78                         | 80  | 95    | 110   | -     |
| 1-1/2"     | 108                        | 110 | 130   | 150   | -     |
| 2"         | 138                        | 140 | 160   | 180   | -     |

FLOW COEFFICIENT

| VALVE SIZE | APPROX Cv |
|------------|-----------|
| 1/4"       | 2.2       |
| 3/8"       | 2.3       |
| 1/2"       | 4.3       |
| 3/4"       | 8.0       |
| 1"         | 12.0      |
| 1-1/4"     | 18.0      |
| 1-1/2"     | 32.0      |
| 2"         | 53.0      |

CARBON and STAINLESS STEEL  
**2-pc and 2-pc SEAL WELDED**  
 FIGURE: AKSCTHZM/AKUTHZM (-FS) and AKSCTHWZM/AKUTHWZM (-FS)

OPERATING TORQUE, in-lbs\*

| VALVE SIZE | DIFFERENTIAL PRESSURE, psi |     |       |       |       |
|------------|----------------------------|-----|-------|-------|-------|
|            | up to 400                  | 500 | 1,000 | 1,500 | 2,000 |
| 1/4"       | 14.5                       | 20  | 25    | 30    | 35    |
| 3/8"       | 19                         | 30  | 35    | 40    | 45    |
| 1/2"       | 29                         | 45  | 50    | 55    | 60    |
| 3/4"       | 44                         | 70  | 80    | 90    | 100   |
| 1"         | 68                         | 80  | 95    | 110   | 125   |
| 1-1/4"     | 78                         | 110 | 130   | 150   | -     |
| 1-1/2"     | 108                        | 140 | 160   | 180   | -     |
| 2"         | 138                        | 160 | 180   | 200   | -     |

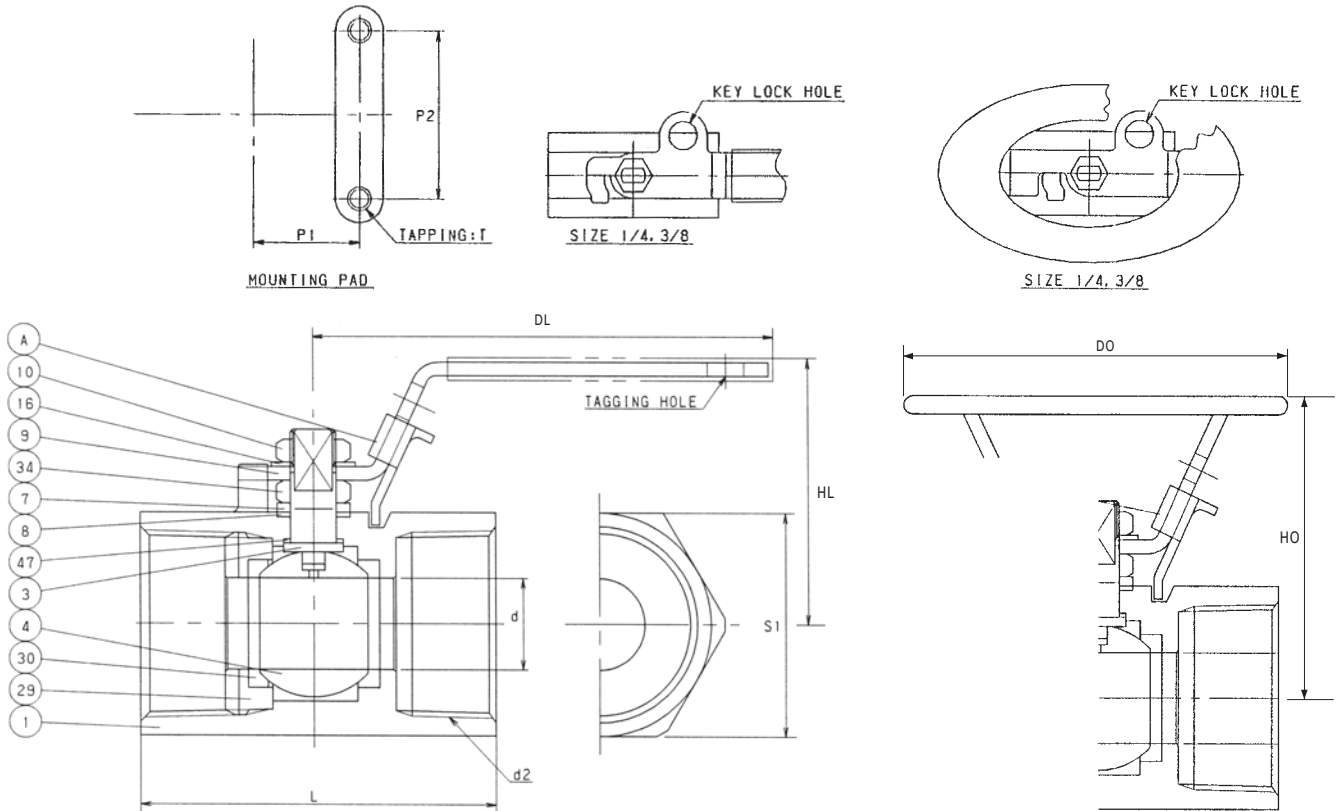
FLOW COEFFICIENT

| VALVE SIZE | APPROX Cv |
|------------|-----------|
| 1/4"       | 4.0       |
| 3/8"       | 4.5       |
| 1/2"       | 5.0       |
| 3/4"       | 11.0      |
| 1"         | 24.0      |
| 1-1/4"     | 35.0      |
| 1-1/2"     | 74.0      |
| 2"         | 128.0     |

\* Values are for clean water at ambient temperature.  
 KITZ recommends applying a safety factor when selecting an actuator.

# UNIBODY

AKSCTKZM-FS/AKUTKZM-FS



## MATERIALS OF CONSTRUCTION

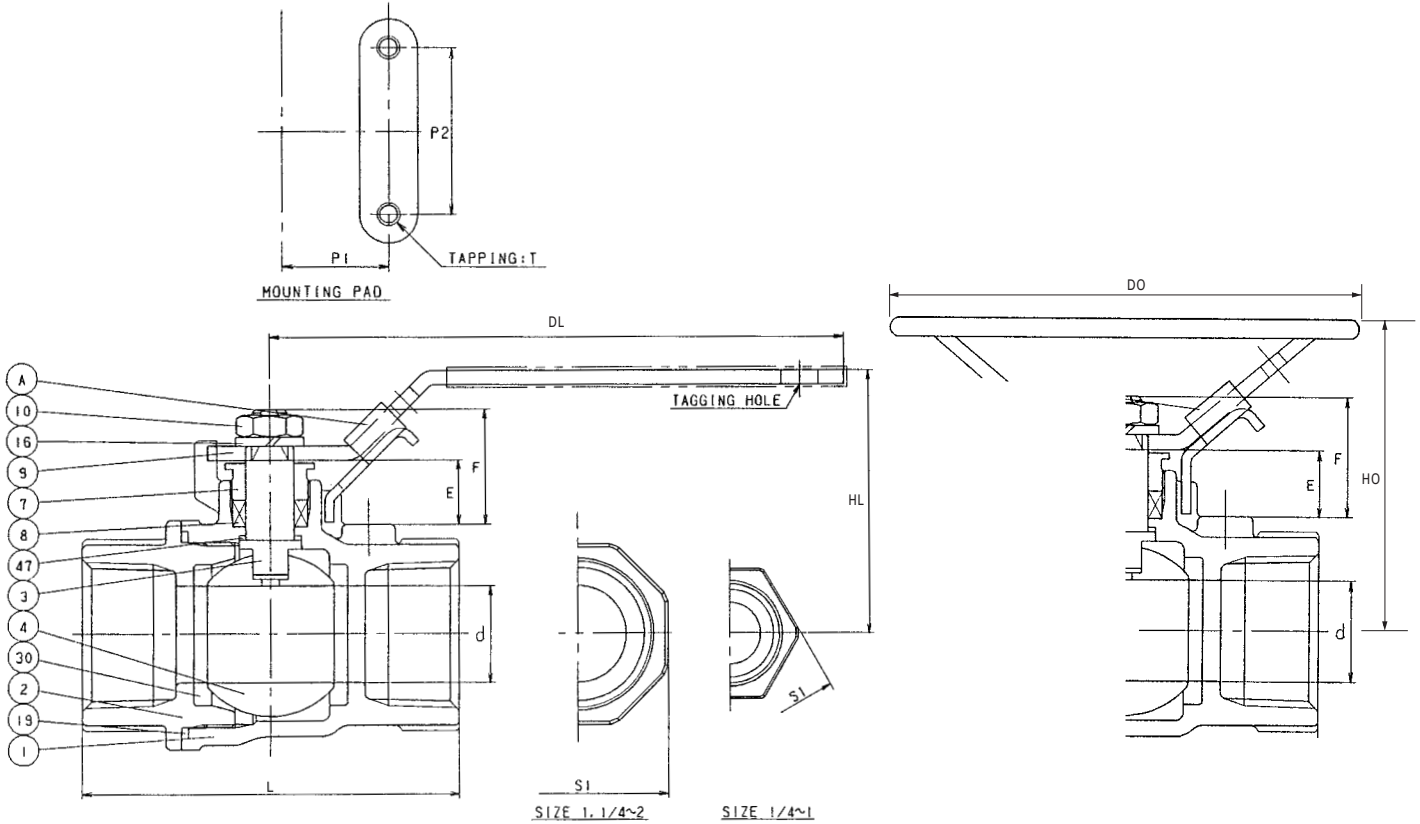
| CARBON STEEL | STAINLESS STEEL |
|--------------|-----------------|
|--------------|-----------------|

| No | PARTS         | Qty. | MATERIALS         | MATERIALS           | ASTM SPECIFICATION              |
|----|---------------|------|-------------------|---------------------|---------------------------------|
| 1  | BODY          | 1    | CAST STEEL        |                     | A216 Gr. WCB<br>A351 Gr. CF8M   |
| 3  | STEM          | 1    | STAINLESS STEEL   | STAINLESS STEEL     | A276 Type 316                   |
| 4  | BALL          | 1    | STAINLESS STEEL   | STAINLESS STEEL     | A276 Type 316                   |
| 7  | GLAND         | 1    | STAINLESS STEEL   | STAINLESS STEEL     | A276 Type 304                   |
| 8  | GLAND PACKING | 1    | FLEXIBLE GRAPHITE | FLEXIBLE GRAPHITE   |                                 |
| 9  | HANDLE        | 1    | CARBON STEEL (1)  |                     |                                 |
| 10 | NUT           | 2    | STAINLESS STEEL   | STAINLESS STEEL (1) | A194 Gr. 8                      |
| 16 | WASHER        | 1    | STAINLESS STEEL   | STAINLESS STEEL     | A276 Type 304                   |
| 29 | INSERT        | 1    | STAINLESS STEEL   | STAINLESS STEEL     | A276 Type 316 or A351 Gr. CF8M  |
| 30 | BALL SEAT     | 2    | HYPATITE PTFE     | HYPATITE PTFE       |                                 |
| 34 | NUT           | 1    | STAINLESS STEEL   | STAINLESS STEEL     | A194 Gr. 8 (1/2" and LARGER)    |
| 47 | THRUST WASHER | 1    | G/F PTFE          | G/F PTFE            |                                 |
| A  | LATCH LOCK    | 1    | STAINLESS STEEL   | STAINLESS STEEL     | A276 Type 430 (1/2" and LARGER) |

NOTES: (1) PLASTIC COATED

| VALVE SIZE | DIMENSIONS, Inches |      |      |      |      |      |           |      |      |      |              | APPROX WT. lbs. |
|------------|--------------------|------|------|------|------|------|-----------|------|------|------|--------------|-----------------|
|            | d                  | HL   | HO   | DL   | DO   | L    | d2        | S1   | P1   | P2   | T            |                 |
| 1/4"       | 0.18               | 1.12 | 1.71 | 2.80 | 3.94 | 1.97 | 1/4 NPT   | 0.72 | -    | -    | -            | 0.35            |
| 3/8"       | 0.27               | 1.16 | 1.87 | 3.23 | 3.94 | 2.05 | 3/8 NPT   | 0.87 | -    | -    | -            | 0.37            |
| 1/2"       | 0.36               | 1.93 | 2.13 | 3.54 | 3.94 | 2.56 | 1/2 NPT   | 1.10 | 0.50 | 1.12 | No. 10-24UNC | 0.62            |
| 3/4"       | 0.49               | 2.05 | 2.24 | 3.54 | 3.94 | 2.76 | 3/4 NPT   | 1.34 | 0.57 | 1.37 | No. 10-24UNC | 0.86            |
| 1"         | 0.63               | 2.15 | 2.38 | 4.33 | 3.94 | 3.15 | 1 NPT     | 1.57 | 0.87 | 1.37 | No. 10-24UNC | 1.21            |
| 1-1/4"     | 0.79               | 2.34 | 2.58 | 4.33 | 3.94 | 3.74 | 1-1/4 NPT | 1.97 | 1.00 | 1.50 | 1/4-20UNC    | 1.92            |
| 1-1/2"     | 0.96               | 2.68 | 3.07 | 5.51 | 5.12 | 3.94 | 1-1/2 NPT | 2.24 | 1.00 | 1.50 | 1/4-20UNC    | 2.84            |
| 2"         | 1.26               | 2.89 | 3.29 | 5.51 | 5.12 | 4.49 | 2 NPT     | 2.72 | 1.00 | 1.50 | 1/4-20UNC    | 4.26            |

## 2-PIECE AKSCTHZM (-FS) / AKUTHZM (-FS)



### MATERIALS OF CONSTRUCTION

|              |                 |
|--------------|-----------------|
| CARBON STEEL | STAINLESS STEEL |
|--------------|-----------------|

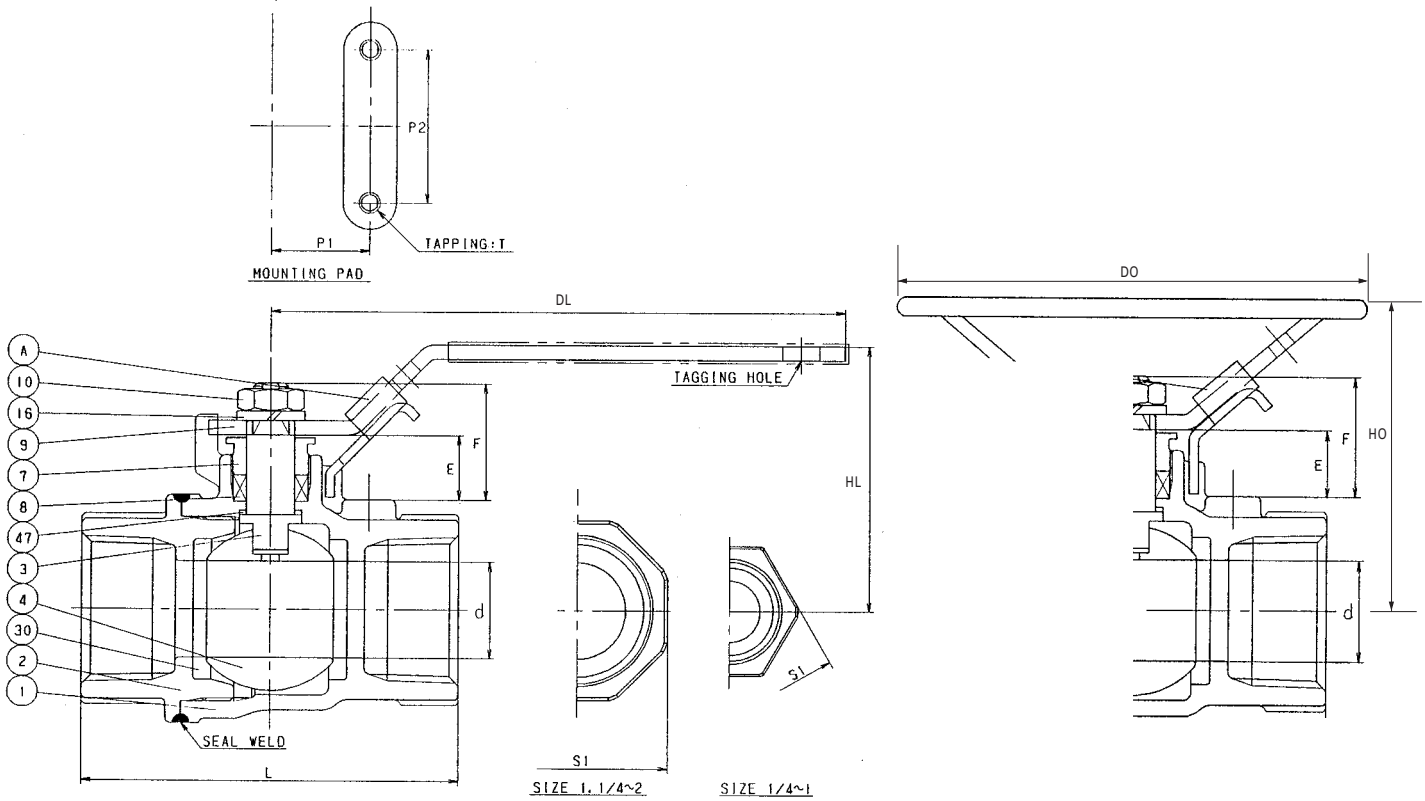
| No | PARTS         | Qty. | MATERIALS               | MATERIALS               | ASTM SPECIFICATION             |
|----|---------------|------|-------------------------|-------------------------|--------------------------------|
| 1  | BODY          | 1    | CAST STEEL              |                         | A216 Gr. WCB                   |
| 2  | BODY CAP      | 1    | CAST STEEL              | STAINLESS STEEL         | A351 Gr. CF8M<br>A216 Gr. WCB  |
| 3  | STEM          | 1    | STAINLESS STEEL         | STAINLESS STEEL         | A351 Gr. CF8M<br>A276 Type 316 |
| 4  | BALL          | 1    | STAINLESS STEEL         | STAINLESS STEEL         | A276 Type 316                  |
| 7  | GLAND         | 1    | STAINLESS STEEL         | STAINLESS STEEL         | A276 Type 304                  |
| 8  | GLAND PACKING | 1    | PTFE or FLEX GRAPH (FS) | PTFE or FLEX GRAPH (FS) |                                |
| 9  | HANDLE        | 1    | CARBON STEEL (1)        |                         |                                |
| 10 | HANDLE NUT    | 1    | STAINLESS STEEL         | STAINLESS STEEL (1)     | A276 Type 430                  |
| 16 | WASHER        | 1    | STAINLESS STEEL         | STAINLESS STEEL         | A194 Gr. 8                     |
| 19 | GASKET        | 1    | PTFE or FLEX GRAPH (FS) | PTFE or FLEX GRAPH (FS) | A276 Type 304                  |
| 30 | BALL SEAT     | 2    | HYPATITE PTFE           | HYPATITE PTFE           |                                |
| 47 | THRUST WASHER | 1    | G/F PTFE                | G/F PTFE                |                                |
| A  | LATCH LOCK    | 1    | CARBON STEEL            | STAINLESS STEEL         | A276 Type 430                  |

NOTES: (1) PLASTIC COATED

| VALVE SIZE | DIMENSIONS, Inches |      |      |      |      |      |           |       |      |      |       |       | APPROX WT. lbs. |      |
|------------|--------------------|------|------|------|------|------|-----------|-------|------|------|-------|-------|-----------------|------|
|            | d                  | HL   | HO   | DL   | DO   | L    | d2        | S1    | P1   | P2   | E     | F     |                 | T    |
| 1/4"       | 0.37               | 1.99 | 2.42 | 3.94 | 3.94 | 2.09 | 1/4 NPT   | 0.827 | 0.50 | 1.12 | 0.571 | 0.925 | No. 10-24UNC    | 0.44 |
| 3/8"       | 0.37               | 1.99 | 2.42 | 3.94 | 3.94 | 2.09 | 3/8 NPT   | 0.945 | 0.50 | 1.12 | 0.571 | 0.925 | No. 10-24UNC    | 0.44 |
| 1/2"       | 0.39               | 2.29 | 2.46 | 4.53 | 3.94 | 2.44 | 1/2 NPT   | 1.102 | 0.50 | 1.12 | 0.531 | 0.925 | No. 10-24UNC    | 0.66 |
| 3/4"       | 0.59               | 2.47 | 2.64 | 4.53 | 3.94 | 2.83 | 3/4 NPT   | 1.378 | 0.87 | 1.37 | 0.551 | 1.004 | No. 10-24UNC    | 1.01 |
| 1"         | 0.79               | 2.50 | 2.70 | 5.31 | 3.94 | 3.35 | 1 NPT     | 1.614 | 0.87 | 1.37 | 0.571 | 1.063 | No. 10-24UNC    | 1.94 |
| 1-1/4"     | 0.98               | 2.66 | 2.85 | 5.31 | 3.94 | 3.70 | 1-1/4 NPT | 2.047 | 0.93 | 1.50 | 0.531 | 1.024 | 1/4-20UNC       | 2.21 |
| 1-1/2"     | 1.26               | 3.27 | 3.66 | 6.14 | 5.12 | 4.21 | 1-1/2-NPT | 2.323 | 0.93 | 1.50 | 0.669 | 1.240 | 1/4-20UNC       | 3.62 |
| 2"         | 1.57               | 3.58 | 3.98 | 7.48 | 5.12 | 4.72 | 2 NPT     | 2.835 | 0.93 | 1.50 | 0.591 | 1.240 | 1/4-20UNC       | 5.64 |



## 2-PIECE SEAL WELDED AKSCTHWZM (-FS) / AKUTHWZM (-FS)



### MATERIALS OF CONSTRUCTION

|              |                 |
|--------------|-----------------|
| CARBON STEEL | STAINLESS STEEL |
|--------------|-----------------|

| No | PARTS         | Qty. | MATERIALS               | MATERIALS               | ASTM SPECIFICATION            |
|----|---------------|------|-------------------------|-------------------------|-------------------------------|
| 1  | BODY          | 1    | CAST STEEL              | STAINLESS STEEL         | A216 Gr. WCB<br>A351 Gr. CF8M |
| 2  | BODY CAP      | 1    | CAST STEEL              | STAINLESS STEEL         | A216 Gr. WCB<br>A351 Gr. CF8M |
| 3  | STEM          | 1    | STAINLESS STEEL         | STAINLESS STEEL         | A276 Type 316                 |
| 4  | BALL          | 1    | STAINLESS STEEL         | STAINLESS STEEL         | A276 Type 316                 |
| 7  | GLAND         | 1    | STAINLESS STEEL         | STAINLESS STEEL         | A276 Type 304                 |
| 8  | GLAND PACKING | 1    | PTFE or FLEX GRAPH (FS) | PTFE or FLEX GRAPH (FS) |                               |
| 9  | HANDLE        | 1    | CARBON STEEL (1)        | STAINLESS STEEL (1)     | A276 Type 430                 |
| 10 | HANDLE NUT    | 1    | STAINLESS STEEL         | STAINLESS STEEL         | A194 Gr. 8                    |
| 16 | WASHER        | 1    | STAINLESS STEEL         | STAINLESS STEEL         | A276 Type 304                 |
| 30 | BALL SEAT     | 2    | HYPATITE PTFE           | HYPATITE PTFE           |                               |
| 47 | THRUST WASHER | 1    | G/F PTFE                | G/F PTFE                |                               |
| A  | LATCH LOCK    | 1    | CARBON STEEL            | STAINLESS STEEL         | A276 Type 430                 |

NOTES: (1) PLASTIC COATED

| VALVE SIZE | DIMENSIONS, Inches |      |      |      |      |      |           |       |      |      |       |       |              | APPROX WT. lbs. |
|------------|--------------------|------|------|------|------|------|-----------|-------|------|------|-------|-------|--------------|-----------------|
|            | d                  | HL   | HO   | DL   | DO   | L    | d2        | S1    | P1   | P2   | E     | F     | T            |                 |
| 1/4"       | 0.37               | 1.99 | 2.42 | 3.94 | 3.94 | 2.09 | 1/4 NPT   | 0.827 | 0.50 | 1.12 | 0.571 | 0.925 | No. 10-24UNC | 0.44            |
| 3/8"       | 0.37               | 1.99 | 2.42 | 3.94 | 3.94 | 2.09 | 3/8 NPT   | 0.945 | 0.50 | 1.12 | 0.571 | 0.925 | No. 10-24UNC | 0.44            |
| 1/2"       | 0.39               | 2.29 | 2.46 | 4.53 | 3.94 | 2.44 | 1/2 NPT   | 1.102 | 0.50 | 1.12 | 0.531 | 0.925 | No. 10-24UNC | 0.66            |
| 3/4"       | 0.59               | 2.47 | 2.64 | 4.53 | 3.94 | 2.83 | 3/4 NPT   | 1.378 | 0.87 | 1.37 | 0.551 | 1.004 | No. 10-24UNC | 1.01            |
| 1"         | 0.79               | 2.50 | 2.70 | 5.31 | 3.94 | 3.35 | 1 NPT     | 1.614 | 0.87 | 1.37 | 0.571 | 1.063 | No. 10-24UNC | 1.94            |
| 1-1/4"     | 0.98               | 2.66 | 2.85 | 5.31 | 3.94 | 3.70 | 1-1/4 NPT | 2.047 | 0.93 | 1.50 | 0.531 | 1.024 | 1/4-20UNC    | 2.21            |
| 1-1/2"     | 1.26               | 3.27 | 3.66 | 6.14 | 5.12 | 4.21 | 1-1/2-NPT | 2.323 | 0.93 | 1.50 | 0.669 | 1.240 | 1/4-20UNC    | 3.62            |
| 2"         | 1.57               | 3.58 | 3.98 | 7.48 | 5.12 | 4.72 | 2 NPT     | 2.835 | 0.93 | 1.50 | 0.591 | 1.240 | 1/4-20UNC    | 5.64            |

# CODE NUMBERS

## 3-Piece

### *Threaded (Pages 9 - 13)*

AKSC3THZM (CS/Regular Port/Non-Firesafe/Locking Lever) - #317  
AKU3THZM (SS/Regular Port/Non-Firesafe/Locking Lever) - #327

AKSC3THZM-FS (CS/Regular Port/Firesafe/Locking Lever) - #319  
AKU3THZM-FS (SS/Regular Port/Firesafe/Locking Lever) - #329

AKSC3THZM-O (CS/Regular Port/Non-Firesafe/Locking Oval) - #317-LOH  
AKU3THZM-O (SS/Regular Port/Non-Firesafe/Locking Oval) - #327-LOH

AKSC3THZM-FSO (CS/Regular Port/Firesafe/Locking Oval) - #319-LOH  
AKU3THZM-FSO (SS/Regular Port/Firesafe/Locking Oval) - #329-LOH

AKSC3TFZM (CS/Full Port/Non-Firesafe/Locking Lever) - #317F  
AKU3TFZM (SS/Full Port/Non-Firesafe/Locking Lever) - #327F

AKSC3TFZM-FS (CS/Full Port/Firesafe/Locking Lever) - #319F  
AKU3TFZM-FS (SS/Full Port/Firesafe/Locking Lever) - #329F

AKSC3TFZM-O (CS/Full Port/Non-Firesafe/Locking Oval) - #317F-LOH  
AKU3TFZM-O (SS/Full Port/Non-Firesafe/Locking Oval) - #327F-LOH

AKSC3TFZM-FSO (CS/Full Port/Firesafe/Locking Oval) - #319F-LOH  
AKU3TFZM-FSO (SS/Full Port/Firesafe/Locking Oval) - #329F-LOH

### *Socket Weld (Pages 9 - 13)*

AWSC3THZM (CS/Regular Port/Non-Firesafe/Locking Lever) - #317S  
AWU3THZM (SS/Regular Port/Non-Firesafe/Locking Lever) - #327S

AWSC3THZM-FS (CS/Regular Port/Firesafe/Locking Lever) - #319S  
AWU3THZM-FS (SS/Regular Port/Firesafe/Locking Lever) - #329S

AWSC3THZM-O (CS/Regular Port/Non-Firesafe/Locking Oval) - #317S-LOH  
AWU3THZM-O (SS/Regular Port/Non-Firesafe/Locking Oval) - #327S-LOH

AWSC3THZM-FSO (CS/Regular Port/Firesafe/Locking Oval) - #319S-LOH  
AWU3THZM-FSO (SS/Regular Port/Firesafe/Locking Oval) - #329S-LOH

AWSC3TFZM (CS/Full Port/Non-Firesafe/Locking Lever) - #317FS  
AWU3TFZM (SS/Full Port/Non-Firesafe/Locking Lever) - #327FS

AWSC3TFZM-FS (CS/Full Port/Firesafe/Locking Lever) - #319FS  
AWU3TFZM-FS (SS/Full Port/Firesafe/Locking Lever) - #329FS

AWSC3TFZM-O (CS/Full Port/Non-Firesafe/Locking Oval) - #317FS-LOH  
AWU3TFZM-O (SS/Full Port/Non-Firesafe/Locking Oval) - #327FS-LOH

AWSC3TFZM-FSO (CS/Full Port/Firesafe/Locking Oval) - #319FS-LOH  
AWU3TFZM-FSO (SS/Full Port/Firesafe/Locking Oval) - #329FS-LOH

### *Buttweld (Pages 9 - 13)*

BWSC3THZM (CS/Regular Port/Non-Firesafe/Locking Lever) - #317B  
BWU3THZM (SS/Regular Port/Non-Firesafe/Locking Lever) - #327B

BWSC3THZM-FS (CS/Regular Port/Firesafe/Locking Lever) - #319B  
BWU3THZM-FS (SS/Regular Port/Firesafe/Locking Lever) - #329B

BWSC3THZM-O (CS/Regular Port/Non-Firesafe/Locking Oval) - #317B-LOH  
BWU3THZM-O (SS/Regular Port/Non-Firesafe/Locking Oval) - #327B-LOH

BWSC3THZM-FSO (CS/Regular Port/Firesafe/Locking Oval) - #319B-LOH  
BWU3THZM-FSO (SS/Regular Port/Firesafe/Locking Oval) - #329B-LOH

BWSC3TFZM (CS/Full Port/Non-Firesafe/Locking Lever) - #317FB  
BWU3TFZM (SS/Full Port/Non-Firesafe/Locking Lever) - #327FB

BWSC3TFZM-FS (CS/Full Port/Firesafe/Locking Lever) - #319FB  
BWU3TFZM-FS (SS/Full Port/Firesafe/Locking Lever) - #329FB

BWSC3TFZM-O (CS/Full Port/Non-Firesafe/Locking Oval) - #317FB-LOH  
BWU3TFZM-O (SS/Full Port/Non-Firesafe/Locking Oval) - #327FB-LOH

BWSC3TFZM-FSO (CS/Full Port/Firesafe/Locking Oval) - #319FB-LOH  
BWU3TFZM-FSO (SS/Full Port/Firesafe/Locking Oval) - #329FB-LOH

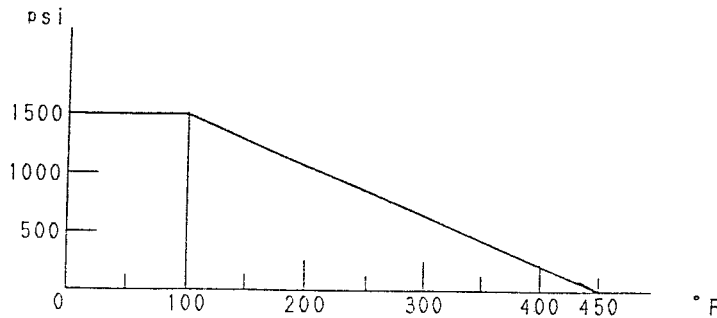
# TECHNICAL INFORMATION

## PRODUCT OVERVIEW\*

| PRODUCT TYPE              | MATERIAL    | BASIC FIGURE                      | STANDARD OPTIONS   | SIZE RANGE  |
|---------------------------|-------------|-----------------------------------|--------------------|---|
| THREADED, REGULAR PORT    | WCB<br>CF8M | AKSC3TKZM (-FS)<br>AKU3TKZM (-FS) | FIRESAFE (API 607) | 1/2", 3/4",<br>1", 1-1/4",<br>1-1/2", 2",<br>2-1/2"     |
| SOCKET WELD, REGULAR PORT | WCB<br>CF8M | AWSC3THZM (-FS)<br>AWU3THZM (-FS) |                    |   |
| BUTTWELD, REGULAR PORT    | WCB<br>CF8M | BWSC3THZM (-FS)<br>BWU3THZM (-FS) | LOCKING OVAL       | 1/4", 3/8",<br>1/2", 3/4",<br>1", 1-1/4",<br>1-1/2", 2" |
| THREADED, FULL PORT       | WCB<br>CF8M | AKSC3TFZM (-FS)<br>AKU3TFZM (-FS) | LOCKING LEVER      |   |
| SOCKET WELD, FULL PORT    | WCB<br>CF8M | AWSC3TFZM (-FS)<br>AWU3TFZM (-FS) |                    |   |
| BUTTWELD, FULL PORT       | WCB<br>CF8M | BWSC3TFZM (-FS)<br>BWU3TFZM (-FS) |                    |   |

\*Contact KITZ for special configurations such as threaded x socket weld

## PRESSURE-TEMPERATURE RATING



## BASIC DESIGN

- Face-to Face Dimensions - KITZ Standard
- End Connections - NPT (ASME B1.20.1)
  - Socket Weld (ASME B16.11)
  - Buttweld (ASME B16.25)
- Wall Thickness - KITZ Standard
- Port - Regular and Full port in accordance with API 608
- Mounting Pad - In accordance with ISO 5211 except 1/2" regular port and 1/4" ~ 3/8" full port
- Standard Handle - Locking Oval (1/2"~1") - Regular Port
  - Locking Oval (1/4" ~ 1") - Full Port
  - Locking Lever (1-1/4"~2-1/2") - Regular Port
  - Locking Lever (1-1/4"~2") - Full Port
  - Optional Locking Oval and Lever for other sizes
- Body Seat - Hypatite PTFE
- Body Seal - PTFE (Standard)/Flexible Graphite (FS)
- Pressure Rating - 1500 WOG (1/2"~2" regular port and 1/4"~1-1/2" full port)
  - 240 WSP (1/2"~2" regular port and 1/4"~1-1/2" full port)
  - 1000 WOG (2-1/2" regular port and 2" full port)
  - 186 WSP (2-1/2" regular port and 2" full port)
- NACE MR-01-75

## TEST PRESSURE

- Test Method - API 598
- Body Test Pressure - 2250 ps i, Hydrostatic (1/2"~2" regular port and 1/4"~1-1/2" full port)
  - 1500 psi, Hydrostatic (2-1/2" regular port and 2" full port)
- Seat Test Pressure - 80 psi, Air

# TECHNICAL DATA

OPERATING TORQUE, in-lbs\*

| VALVE SIZE  |        | DIFFERENTIAL PRESSURE, psi |     |     |     |     |     |       |       |       |       |
|-------------|--------|----------------------------|-----|-----|-----|-----|-----|-------|-------|-------|-------|
| FB          | RB     | up to 145                  | 290 | 435 | 580 | 725 | 870 | 1,015 | 1,160 | 1,305 | 1,500 |
| 1/4" & 3/8" | 1/2"   | 40                         | 43  | 45  | 48  | 51  | 53  | 58    | 59    | 61    | 65    |
| 1/2"        | 3/4"   | 62                         | 66  | 71  | 75  | 80  | 84  | 89    | 93    | 97    | 104   |
| 3/4"        | 1"     | 89                         | 98  | 108 | 118 | 128 | 137 | 147   | 157   | 166   | 179   |
| 1"          | 1-1/4" | 124                        | 149 | 174 | 198 | 223 | 248 | 273   | 297   | 322   | 355   |
| 1-1/4"      | 1-1/2" | 195                        | 216 | 237 | 259 | 280 | 301 | 322   | 343   | 365   | 392   |
| 1-1/2"      | 2"     | 221                        | 255 | 289 | 322 | 356 | 389 | 423   | 457   | 490   | 534   |
| 2"          | 2-1/2" | 310                        | 354 | 434 | 513 | 593 | 673 | 752   | 832   | 912   | 1,015 |

FLOW COEFFICIENT

FULL PORT

| VALVE SIZE | APPROX Cv |
|------------|-----------|
| 1/4"       | 5         |
| 3/8"       | 7         |
| 1/2"       | 22        |
| 3/4"       | 43        |
| 1"         | 72        |
| 1-1/4"     | 126       |
| 1-1/2"     | 215       |
| 2"         | 346       |

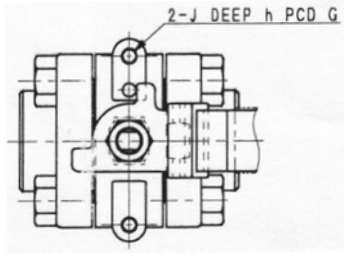
REGULAR PORT

| VALVE SIZE | APPROX Cv |
|------------|-----------|
| 1/2"       | 5         |
| 3/4"       | 11        |
| 1"         | 24        |
| 1-1/4"     | 35        |
| 1-1/2"     | 74        |
| 2"         | 128       |
| 2-1/2"     | 276       |

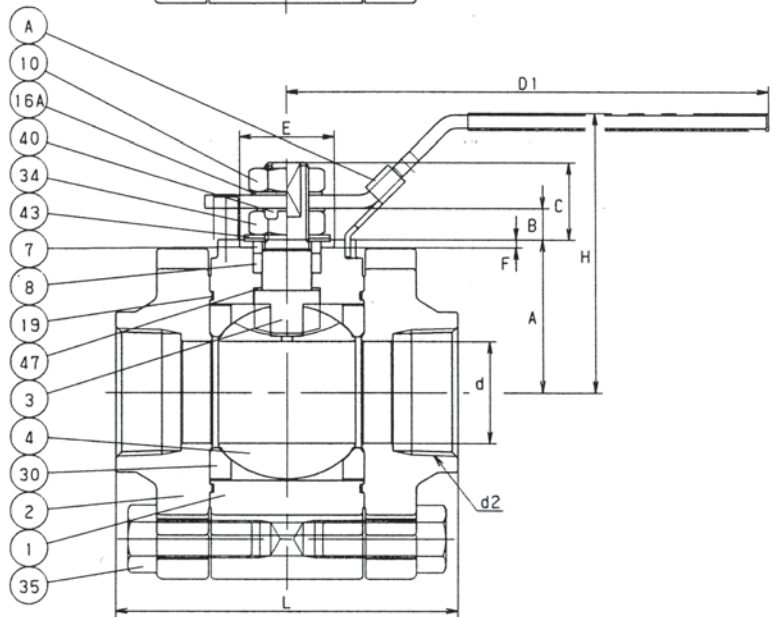
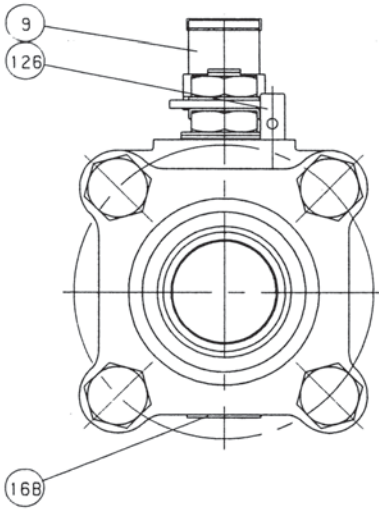
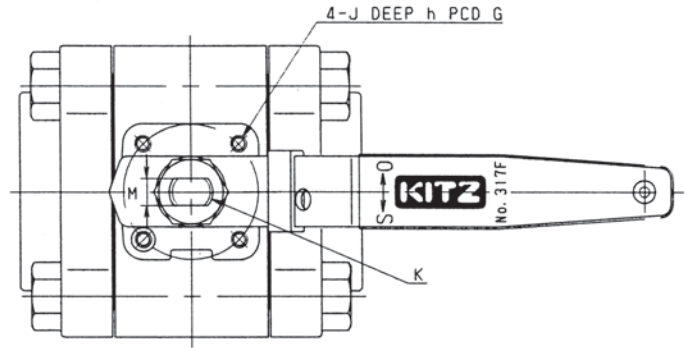
\* Values are for clean water at ambient temperature.  
KITZ recommends applying a safety factor when selecting an actuator.

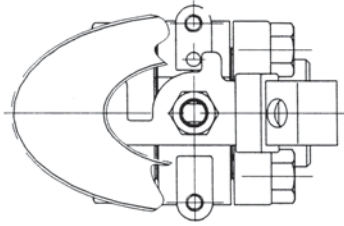
### 3-PIECE

AKSC3THZM (-FS)/AKU3THZM (-FS) (Regular Port)  
 AKSC3TFZM (-FS)/AKU3TFZM (-FS) (Full Port)

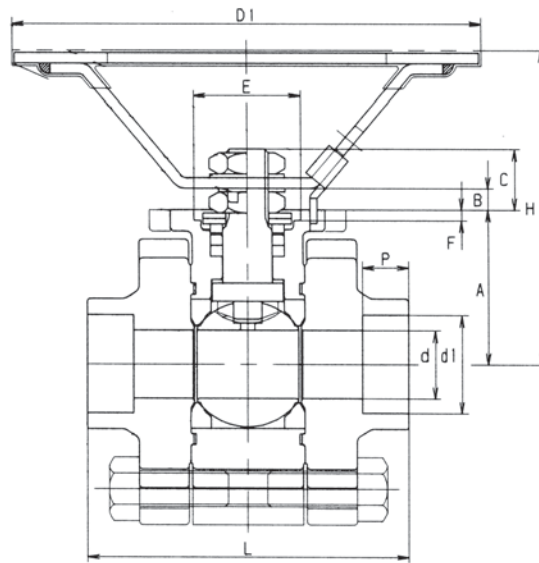
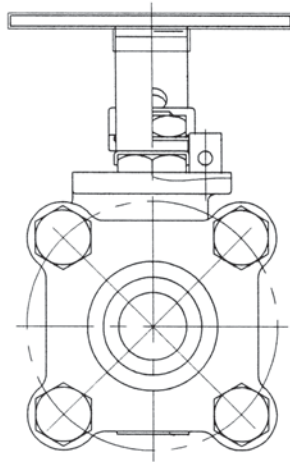
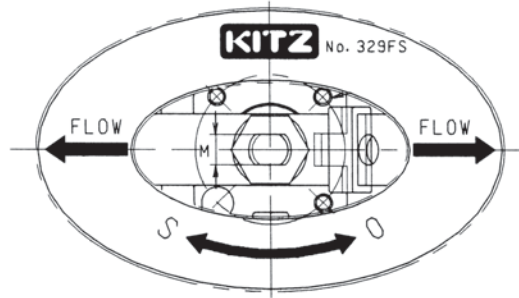


1/2" Regular Port  
 1/4"-3/8" Full Port





1/2" Regular Port  
1/4"-3/8" Full Port

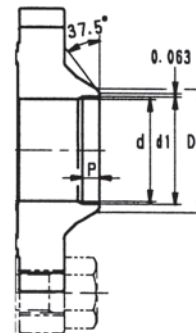
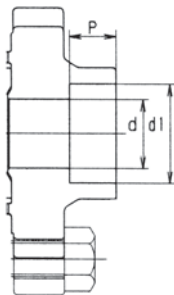


### SOCKET WELD ENDS

AWSC3THZM (-FS)/AWU3THZM (-FS) (Regular Port)  
AWSC3TFZM (-FS)/AWU3TFZM (-FS) (Full Port)

### BUTTWELD ENDS

BWSC3THZM (-FS)/BWU3THZM (-FS) (Regular Port)  
BWSC3TFZM (-FS)/BWU3TFZM (-FS) (Full Port)



**MATERIALS OF CONSTRUCTION**

|              |                 |
|--------------|-----------------|
| CARBON STEEL | STAINLESS STEEL |
|--------------|-----------------|

| No  | PARTS             | Qty. | MATERIALS               | MATERIALS               | ASTM SPECIFICATION |
|-----|-------------------|------|-------------------------|-------------------------|--------------------|
| 1   | BODY              | 1    | CARBON STEEL            |                         | A216 Gr. WCB       |
| 2   | CAP               | 2    | CARBON STEEL            | STAINLESS STEEL         | A351 Gr. CF8M      |
| 3   | STEM              | 1    | STAINLESS STEEL         | STAINLESS STEEL         | A216 Gr. WCB       |
| 4   | BALL              | 1    | STAINLESS STEEL         | STAINLESS STEEL         | A351 Gr.CF3M       |
| 7   | GLAND             | 1    | STAINLESS STEEL         | STAINLESS STEEL         | A276 Type 316      |
| 8A  | GLAND PACKING     | 1S   | PTFE or FLEX GRAPH (FS) | PTFE or FLEX GRAPH (FS) | A276 Type 316 or   |
| 8B  | SPACER PACKING    | 1    | G/F PFFE (FS ONLY)      | G/F PTFE (FS ONLY)      | A351 Gr. CF8M      |
| 9   | HANDLE            | 1    | STAINLESS STEEL         | STAINLESS STEEL         | A276 Type 316      |
| 10  | HANDLE NUT        | 1    | STAINLESS STEEL         | STAINLESS STEEL         | A276 Type 430 (1)  |
| 16A | WASHER            | 1    | STAINLESS STEEL         | STAINLESS STEEL         | A194 Gr. 8         |
| 16B | NAME PLATE        | 1    | STAINLESS STEEL         | STAINLESS STEEL         |                    |
| 19  | GASKET            | 2    | PTFE or FLEX GRAPH (FS) | PTFE or FLEX GRAPH (FS) |                    |
| 30  | BALL SEAT         | 2    | HYPATITE PTFE           | HYPATITE PTFE           |                    |
| 34  | GLAND NUT         | 1    | STAINLESS STEEL         | STAINLESS STEEL         | A194 Gr. 8         |
| 35  | CAP BOLT          | 8    | STAINLESS STEEL         | STAINLESS STEEL         | A193 Gr. B8        |
| 40  | LOCK PLATE        | 1    | STAINLESS STEEL         | STAINLESS STEEL         |                    |
| 43  | BELLEVILLE SPRING | 2    | STAINLESS STEEL         | STAINLESS STEEL         |                    |
| 47  | THRUST WASHER     | 1    | C/F PTFE (2)            | C/F PTFE (2)            |                    |
| 126 | STOPPER PIN       | 1    | STAINLESS STEEL         | STAINLESS STEEL         | A276 Type 304      |
| A   | LATCH LOCK        | 1    | STAINLESS STEEL         | STAINLESS STEEL         |                    |

NOTES: (1) PLASTIC COATED (2) ANTI-STATIC THRUST WASHER

|              | VALVE SIZE | VALVE DIMENSIONS, Inches |      |      |      |      |      |           |             |      |                    |       |       |
|--------------|------------|--------------------------|------|------|------|------|------|-----------|-------------|------|--------------------|-------|-------|
|              |            | d                        | HL   | HO   | DL   | DO   | L    | d2        | SOCKET WELD |      | BUTT WELD (SCH 40) |       |       |
|              |            |                          |      |      |      |      |      |           | d1          | P    | d1                 | P     | D     |
| REGULAR PORT | 1/2"       | 0.39                     | 1.87 | 2.48 | 4.72 | 3.49 | 2.48 | 1/2 NPT   | 0.86        | 0.38 | 0.620              | 0.236 | 0.839 |
|              | 3/4"       | 0.55                     | 2.33 | 3.07 | 5.12 | 5.12 | 2.80 | 3/4 NPT   | 1.07        | 0.50 | 0.825              | 0.276 | 1.051 |
|              | 1"         | 0.75                     | 2.64 | 3.43 | 5.12 | 5.12 | 3.54 | 1 NPT     | 1.33        | 0.50 | 1.049              | 0.394 | 1.315 |
|              | 1-1/4"     | 0.94                     | 3.23 | 3.31 | 5.91 | 7.09 | 4.06 | 1-1/4 NPT | 1.68        | 0.50 | 1.381              | 0.236 | 1.661 |
|              | 1-1/2"     | 1.18                     | 2.46 | 3.54 | 5.91 | 7.09 | 4.33 | 1-1/2 NPT | 1.92        | 0.50 | 1.616              | 0.315 | 1.902 |
|              | 2"         | 1.50                     | 4.06 | 3.93 | 7.09 | 7.09 | 5.00 | 2 NPT     | 2.41        | 0.63 | 2.066              | 0.335 | 2.374 |
|              | 2-1/2"     | 1.97                     | 5.98 | 6.66 | 9.06 | 9.84 | 5.98 | 2-1/2 NPT | 2.91        | 0.63 | 2.469              | 0.512 | 2.874 |
| FULL PORT    | 1/4"       | 0.39                     | 1.87 | 2.48 | 4.72 | 3.94 | 2.48 | 1/4 NPT   | 0.56        | 0.38 | 0.363              | 0.197 | 0.539 |
|              | 3/8"       | 0.39                     | 1.87 | 2.48 | 4.72 | 3.49 | 2.48 | 3/8 NPT   | 0.69        | 0.38 | 0.491              | 0.197 | 0.673 |
|              | 1/2"       | 0.55                     | 2.33 | 3.07 | 5.12 | 5.12 | 2.80 | 1/2 NPT   | 0.86        | 0.38 | 0.620              | 0.177 | 0.839 |
|              | 3/4"       | 0.75                     | 2.64 | 3.43 | 5.12 | 5.12 | 3.54 | 3/4 NPT   | 1.07        | 0.50 | 0.825              | 0.177 | 1.051 |
|              | 1"         | 0.94                     | 3.23 | 3.31 | 5.91 | 7.09 | 4.06 | 1 NPT     | 1.33        | 0.50 | 1.049              | 0.217 | 1.315 |
|              | 1-1/4"     | 1.18                     | 2.46 | 3.54 | 5.91 | 7.09 | 4.33 | 1-1/4 NPT | 1.68        | 0.50 | 1.381              | 0.315 | 1.661 |
|              | 1-1/2"     | 1.50                     | 4.06 | 3.93 | 7.09 | 7.09 | 5.00 | 1-1/2 NPT | 1.82        | 0.50 | 1.616              | 0.217 | 1.902 |
|              | 2"         | 1.97                     | 5.98 | 6.66 | 9.06 | 9.84 | 5.98 | 2 NPT     | 2.41        | 0.63 | 2.027              | 0.335 | 2.374 |

|              | VALVE SIZE | ACTUATOR MOUNTING PAD DIMENSIONS, Inches |       |       |       |       |       |       |       |            |       |            |
|--------------|------------|--|-------|-------|-------|-------|-------|-------|-------|------------|-------|------------|
|              |            | A  | B     | C     | E     | F     | G     | K     | h     | J          | M     | ISO FLANGE |
| REGULAR PORT | 1/2"       | 1.043                                    | 0.079 | 0.413 | -     | -     | 1.969 | M8    | 0.275 | 1/4-20UNC  | 0.197 | -          |
|              | 3/4"       | 1.378                                    | 0.169 | 0.559 | 0.984 | 0.118 | 1.417 | M10   | 0.197 | 1/4-20UNC  | 0.236 | F03        |
|              | 1"         | 1.693                                    | 0.197 | 0.669 | 1.181 | 0.118 | 1.654 | M12   | 0.315 | 1/4-20UNC  | 0.335 | F04        |
|              | 1-1/4"     | 1.732                                    | 0.531 | 1.083 | 1.181 | 0.118 | 1.654 | M14   | 0.315 | 1/4-20UNC  | 0.394 | F04        |
|              | 1-1/2"     | 1.949                                    | 0.531 | 1.071 | 1.181 | 0.118 | 1.654 | M14   | 0.315 | 1/4-20UNC  | 0.394 | F04        |
|              | 2"         | 2.244                                    | 0.461 | 1.142 | 1.378 | 0.118 | 1.969 | M16   | 0.394 | 1/4-20UNC  | 0.394 | F05        |
|              | 2-1/2"     | 3.15                                     | 1.339 | 0.669 | 0.669 | 2.165 | 2.756 | 0.866 | 0.591 | 5/16-18UNC | 0.669 | F07        |
| FULL PORT    | 1/4"       | 1.043                                    | 0.079 | 0.413 | -     | -     | 1.969 | M8    | 0.275 | 1/4-20UNC  | 0.197 | -          |
|              | 3/8"       | 1.043                                    | 0.079 | 0.413 | -     | -     | 1.969 | M8    | 0.275 | 1/4-20UNC  | 0.197 | -          |
|              | 1/2"       | 1.378                                    | 0.169 | 0.559 | 9.984 | 0.118 | 1.417 | M10   | 0.197 | 1/4-20UNC  | 0.236 | F03        |
|              | 3/4"       | 1.693                                    | 0.197 | 0.669 | 1.181 | 0.118 | 1.654 | M12   | 0.315 | 1/4-20UNC  | 0.335 | F04        |
|              | 1"         | 1.732                                    | 0.531 | 1.083 | 1.181 | 0.118 | 1.654 | M14   | 0.315 | 1/4-20UNC  | 0.394 | F04        |
|              | 1-1/4"     | 1.949                                    | 0.351 | 1.071 | 1.181 | 0.118 | 1.654 | M14   | 0.315 | 1/4-20UNC  | 0.394 | F04        |
|              | 1-1/2"     | 2.244                                    | 0.461 | 1.142 | 1.378 | 0.118 | 1.969 | M16   | 0.394 | 1/4-20UNC  | 0.394 | F05        |
|              | 2"         | 3.15                                     | 1.119 | 0.669 | 0.669 | 2.165 | 2.756 | 0.866 | 0.591 | 5/16-18UNC | 0.669 | F07        |

# OPTIONS and ACCESSORIES

## LOCKING LEVER HANDLES

| FIGURE NUMBER  | VALVE SIZE  | MODEL NUMBER                              |
|--|---|---|
| AKSCTKZM-FS<br>AKUTKZM-FS  | 1/4"  | LL-10                                     |
|  | 3/8"  | LL-11                                     |
|  | 1/2" & 3/4"   | LL-12                                     |
|  | 1" & 1-1/4"   | LL-13                                     |
|  | 1-1/2" & 2"   | LL-14                                     |
| AKSCTHZM (FS)<br>AKUTHZM (FS)<br>and<br>AKSCTWZM (FS)<br>AKUTHWZM (FS)                               | 1/4" & 3/8"<br>1/2" & 3/4"<br>1" & 1-1/4"<br>1-1/2"       | LL-15<br>LL-16<br>LL-17<br>LL-18<br>LL-19 |
| AKSC3THZM (FS)<br>AWSC3THZM (FS)<br>BWS3THZM (FS)<br>AKU3THZM (FS)<br>AWU3THZM (FS)<br>BWU3THZM (FS) | 1/2"<br>3/4" & 1"<br>1-1/4" & 1-1/2"<br>2"<br>2-1/2"      | LL-20<br>LL-21<br>LL-22<br>LL-23<br>LL-24 |
| AKSC3TFZM (FS)<br>AWSC3TFZM (FS)<br>BWSC3TFZM (FS)<br>AKU3TFZM (FS)<br>AWU3TFZM (FS)                 | 1/4" & 3/8"<br>1/2" & 3/4"<br>1" & 1-1/4"<br>1-1/2"<br>2" | LL-20<br>LL-21<br>LL-22<br>LL-23<br>LL-24 |

## LOCKING OVAL HANDLES

| FIGURE NUMBER  | VALVE SIZE  | MODEL NUMBER                                   |
|--|---|--|
| AKSCTKZM-FS<br>AKUTKZM-FS  | 1/4"  | OH-10L   |
|  | 3/8"  | OH-11L   |
|  | 1/2" & 3/4"   | OH-12L   |
|  | 1" & 1-1/4"   | OH-13L   |
|  | 1-1/2" & 2"   | OH-14L   |
| AKSCTHZM (FS)<br>AKUTHZM (FS)<br>and<br>AKSCTWZM (FS)<br>AKUTHWZM (FS)                               | 1/4" & 3/8"<br>1/2" & 3/4"<br>1" & 1-1/4"<br>1-1/2" & 2"  | OH-15L<br>OH-16L<br>OH-17L<br>OH-18L           |
| AKSC3THZM (FS)<br>AWSC3THZM (FS)<br>BWS3THZM (FS)<br>AKU3THZM (FS)<br>AWU3THZM (FS)<br>BWU3THZM (FS) | 1/2"<br>3/4" & 1"<br>1-1/4" & 1-1/2"<br>2"<br>2-1/2"      | OH-20L<br>OH-21L<br>OH-22L<br>OH-23L<br>OH-24L |
| AKSC3TFZM (FS)<br>AWSC3TFZM (FS)<br>BWSC3TFZM (FS)<br>AKU3TFZM (FS)<br>AWU3TFZM (FS)                 | 1/4" & 3/8"<br>1/2" & 3/4"<br>1" & 1-1/4"<br>1-1/2"<br>2" | OH-20L<br>OH-21L<br>OH-22L<br>OH-23L<br>OH-24L |

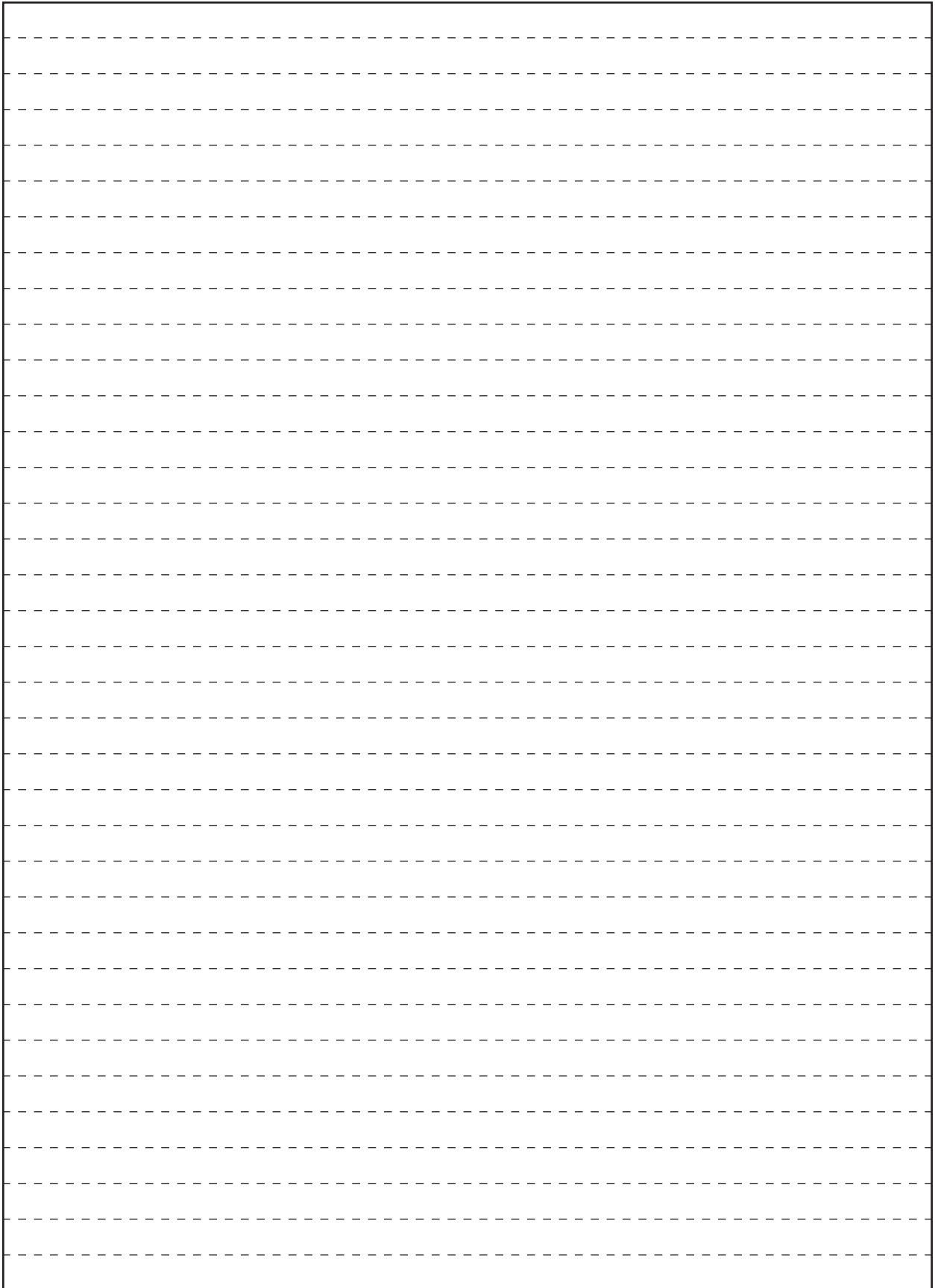


## ADDITIONAL THREADED ITEMS

For more detailed information please consult KITZ product brochure BV-100-0701

- BRASS - AGA/CGA/UL/FM approval. 150 WSP/600 WOG. Full Port.**  
Chrome plated ball and stem (316 SS ball and stem optional), PTFE seat and seals, blow-out proof stem, lever handle (locking lever and oval and locking oval handles optional).  
*Figure Number: AKTAF (#68) - standard trim/AKTAFM (#68M) - stainless trim*
- BRASS - UL approval. 150 WSP/600 WOG. Full Port.**  
Chrome plated ball and stem, PTFE seats and seals, blow-out proof stem, KITZ standard actuator mounting pad, lever handle (locking lever and oval and locking oval handles optional).  
*Figure Number: AKTAFP (#68P)*
- BRASS - UL approval. 250 WSP/600 WOG. Full Port.**  
316 SS ball and stem, R-PTFE 250# seats and seals, blow-out proof stem, KITZ standard actuator mounting pad, locking lever handle (oval and locking oval handles optional).  
*Figure Number: AKTAFPM (#68PM)*
- BRASS - SAFETY EXHAUST. 200 WOG. Full Port. 1/4" EXHAUST PORT (1" and 2")**  
Chrome plated ball and stem, PTFE seat and seals, blow-out proof stem, locking lever handle (oval and locking oval handles optional), integral exhaust tap on sizes 1" and 2".  
*Figure Number: AKTAFS (#68S)*
- CARBON STEEL - 150 WSP/600 WOG. Reduced Port.**  
316 SS ball and stem, R-PTFE seats and seals, blow-out proof stem, lever handle  
*Figure Number: AKSCTK (#50)*
- CARBON STEEL - 125 WSP/2000 WOG (1500WOG 1-1/4"-2"). Regular Port.**  
316 SS ball and stem, PTFE seats and seals, blow-out proof stem, KITZ standard actuator mounting pad, locking lever handle (oval handle optional).  
*Figure Number: AKSCTAHM (#49M)*
- STAINLESS STEEL - 150 WSP/600 WOG. Reduced Port.**  
316 SS body, ball and stem, R-PTFE seats and seals, blow-out proof stem, lever handle.  
*Figure Number: AKUTKM (#52)*
- STAINLESS STEEL - 125 WSP/800 WOG. Full Port.**  
316 body, ball and stem, PTFE seats and seals, blow-out proof stem, KITZ standard actuator mounting pad, lever handle (oval handle optional).  
*Figure Number: AKUTFM (#53F)*
- STAINLESS STEEL - 125 WSP/2000 WOG (1500WOG 1-1/4"-2"). Regular Port.**  
316 SS body, ball and stem, PTFE seats and seals, blow-out proof stem, KITZ standard actuator mounting pad, locking lever handle (oval handle optional).  
*Figure Number: AKUTAHM (#39)*
- STAINLESS STEEL - 125 WSP/1000 WOG. Three Piece. Regular Port.**

## **NOTES**

A large rectangular box with a solid black border. Inside the box, there are 25 horizontal dashed lines, evenly spaced, providing a guide for writing notes. The lines are parallel to each other and extend across the width of the box.

 **CAUTION**

Pressure-temperature ratings and other performance data published in this catalog have been developed from our design calculation, in-house testing, field reports provided by our customers and/or published official standards or specifications. They are good only to cover typical applications as a general guideline to users of KITZ products introduced in this catalog.

For any specific application, users are kindly requested to contact KITZ Corporation for technical advice, or to carry out their own study and evaluation for proving suitability of these products to such an application. Failure to follow this request could result in property damage and/or personal injury, for which we shall not be liable.

While this catalog has been compiled with the utmost care, we assume no responsibility for errors, impropriety or inadequacy. Any information provided in this catalog is subject to from-time-to-time change without notice for error rectification, product discontinuation, design modification, new product introduction or any other cause that KITZ Corporation considers necessary. This edition cancels all previous issues.

ISO 9001 certified since 1989

# KITZ

## KITZ CORPORATION OF AMERICA

10750 Corporate Drive, Stafford, Texas 77477, U.S.A.

Phone: 281-491-7333 Fax: 281-491-9402

[www.kitz.com](http://www.kitz.com)

— Distributed by —

